



control **motion** electronics
the electronic company

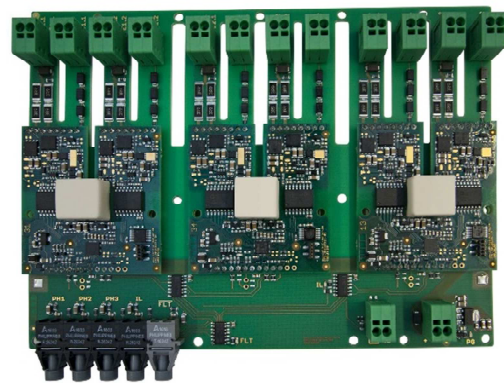
General Purpose Carrier-board for IGBT Driver-Modules

- Carrier-board for ID2-HB-A-12-35-D-xx
- Designed for 3-phase 2-level converters
- Plurality different IO-interface realised
- Connectable to any power semiconductor
- No application-specific board design required
- Reduce the Time-to-Market
- Developed and manufactured in Germany

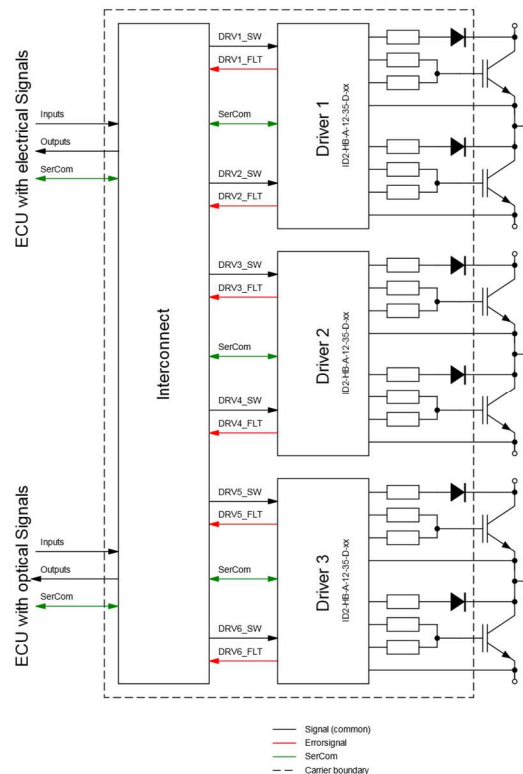
Key Specifications

- Suitable for IGBT- and MosFet-converters
- Driving 3 half-bridges (6 Driver channels in sum)
- Electrical or optical interface between ECU and driver board
- Electrical IO-interface (3.3V to 15V logic level)
 - Up to 6 inputs
 - Up to 3 outputs
 - Up to 1 SerCom (One-Wire Connection)
- Optical IO-Interface POF-based, wavelength 630-685nm (red), connector compatible to HFBR4501 or HFBR4503
 - Up to 6 inputs
 - Up to 3 outputs
 - Up to 1 SerCom (optical)
- Application-specific components will not be assembled
- Gate-Resistors and components, tuning the desaturation detection, are assembled by the customer
- Power-supply voltage: 14.5V – 15.5V
- Blocking voltages up to 1200V
- Safe isolation relating to DIN EN 50178
- Lead free (meet the requirements of RoHs)
- Footprint: 175 mm x 135 mm

Detailed information on the driver modules can be found in the datasheet or application note.



MADE IN GERMANY





control **motion** electronics
the electronic company

General Purpose Carrier-board for IGBT Driver-Modules

Available Models

Order-Code	Optical Signals	Electrical Signals	SerCom
IDC6-12-35-O-1	3 x switching signal 1 x global switch-off signal 1 x global error-feedback	1 x interlock	–
IDC6-12-35-O-1-SC	3 x switching signal 1 x global switch-off signal 1 x global error-feedback	1 x interlock	1 x optical RX 1 x optical TX
IDC6-12-35-O-2	6 x switching signal 3 x error feedback	1 x interlock	–
IDC6-12-35-O-2-SC	6 x switching signals 3 x error feedback	1 x interlock	1 x optical RX 1 x optical TX
IDC6-12-35-E-1	–	3 x switching signal 1 x global switch-off signal 3 x error-feedback 1 x interlock	–
IDC6-12-35-E-1-SC	–	3 x switching signal 1 x global switch-off signal 3 x global error-feedback 1 x interlock	1 x One-Wire Connection
IDC6-12-35-E-2	–	6 x switching-signals 3 x error feedback 1 x interlock	–
IDC6-12-35-E-2-SC	–	6 x switching-signal 3 x error feedback 1 x interlock	1 x One-Wire Connection

All bold marked Carrier-boards are preferred

Custom-specific models are realisable

Carrier boards will be delivered without the driver modules, which must be ordered separately with the necessary
deadtime

Further Offers

- Support for driver-modul – and carrier-board integration
- Development and production offer for components of converter systems
- Measurement of the switching behaviour
- Consulting services in the field of power electronics

CME Control Motion Electronics GmbH | Alter Hellweg 48 | 44379 Dortmund, Germany
Tel: +49 231 28 667 696-0 | www.control-motion.com | info@control-motion.com